

**SANY**<sup>®</sup>

# SCM1300C-8 MILLING MACHINE

## SCM1300C-8 铣刨机

### Highly Efficient

- ◆ 180 kW engine maintains adequate power output
- ◆ Mechanical drive of milling ensures more direct power transmission and stronger resistance to overload.
- ◆ Standard four-wheel drive makes driving powerful.
- ◆ 500 mm ultra-wide conveyor ensures high material conveying capacity.

### Highly Applicable

- ◆ Widened front wheel tread ensures easy access to ordinary flat car.
- ◆ Milling radius  $\leq 1.2$  m contributes to easy corner milling.
- ◆ The highest convey height in industry is able to be compatible with "dumper".

### Economical and Reliable

- ◆ 15 mm standard pitch milling drum brings dense milling texture and saves materials.
- ◆ Drive conveyor has slack side and tensioning bearing to ensure a longer service life.
- ◆ Alloy tail gate scraper contributes to clean receiving of materials and a longer service life.

### Convenient and Intelligent

- ◆ SYMC intelligent controller and standard Automatic Leveling System.
- ◆ Visible parameters of on/off, current and voltage for control circuit ensure easy inspection, monitoring and maintenance.
- ◆ Intelligent prompt of maintenance and fault alarm and searchable parameters such as milling level and position.



### 高效施工

- ◆ 铣刨鼓采用机械传动，动力传递更直接，抗过载能力强。
- ◆ 标配四驱，强劲有力，不打滑。
- ◆ 500mm 超宽输送带，输送速度快。

### 简单智能

- ◆ 采用 SYMC 智能控制器，标配找平程序，插上传感器即可使用。
- ◆ 控制按钮的通断、电流、电压均可可视化，易于检查、监测、维护。
- ◆ 智能提示维护保养信息、故障报警信息、铣刨方量统计等。

### 适用性强

- ◆ 加宽的前轮轴距，能爬升普通平板车。
- ◆ 铣刨半径  $\leq 1.2$  m，方便边角铣刨。
- ◆ 行业最高的输送高度，能搭配“后八轮”协同作战。

### 经济可靠

- ◆ 15mm 标准间距铣刨纹理，在后期沥青摊铺时，更省沥青料。
- ◆ 传动皮带采用松边张紧，皮带及张紧轴承寿命提高一倍。
- ◆ 采用合金尾门刮刀，收料干净，寿命长。

# TECHNICAL PARAMETER

## 技术参数

### Technical Parameters of SCM1300C-8 Milling Machine

#### SCM1300C-8 铣刨机技术参数

Items		SCM1300C-8
最大铣刨宽度 Max. Milling Width(mm)		1300
最大铣刨深度 Max. Milling Depth(mm)		0~280
运输重量 Transportation Weight(t)		14.9
工作重量 Operating Weight(t)		15.6
发动机 Engine	厂家 / 型号 Manufacturer/Mode	三一 /SANY D07S3-245E0 排放标准: 国III Emission: China III
	功率 Rated Power of Engine(kW)	180
	额定转速 Rated Speed of Engine(rpm)	2200
	满负荷油耗 Fuel Consumption With Full Load(mm)	44
铣刨鼓 Milling Drum	转子直径 Rotor Diameter	930
	刀尖距 Milling Tool Bit Distance(mm)	15
理论 爬坡能力 Theoretical Gradeability	工作档 Work Gear	75%
	行驶档 Travel Gear	10%
行走驱动方式 Travel Drive Mode		全轮驱动, 两档调速 All-wheel-drive, two-gear speed control
速度 Speed	工作档速度 Work Speed(m/min)	0~40
	行驶档速度 Travel Speed(km/h)	0~8
行走方式 Travel Mode		轮胎式 Tyre
轮胎型号 Tyre Type		实心橡胶轮胎 Solid Rubber Tyre
轮胎尺寸 Tyre Dimensions(mm)		Φ620×255
燃油箱容积 Fuel Tank Capacity(L)		400
液压油箱容积 Hydraulic Oil Tank Capacity(L)		120
水箱容积 Water Tank Capacity(L)		800
转向形式 Steering Mode		前轮转向 Front-wheel Steering
前轮转向角度 Steering Angle		45°(左)60°(右) 45°(left)60°(right)
转子驱动方式 Rotor Drive Mode		机械皮带驱动 Mechanical Belt
输料方式 Conveying Mode		后输料 Backward Conveying
输料皮带宽度 Width of Conveyor Belt(mm)		500
理论输料能力 Theoretical Conveying Capacity(m³/h)		115
最大卸料高度 Max. Discharging Height(m)		4.5

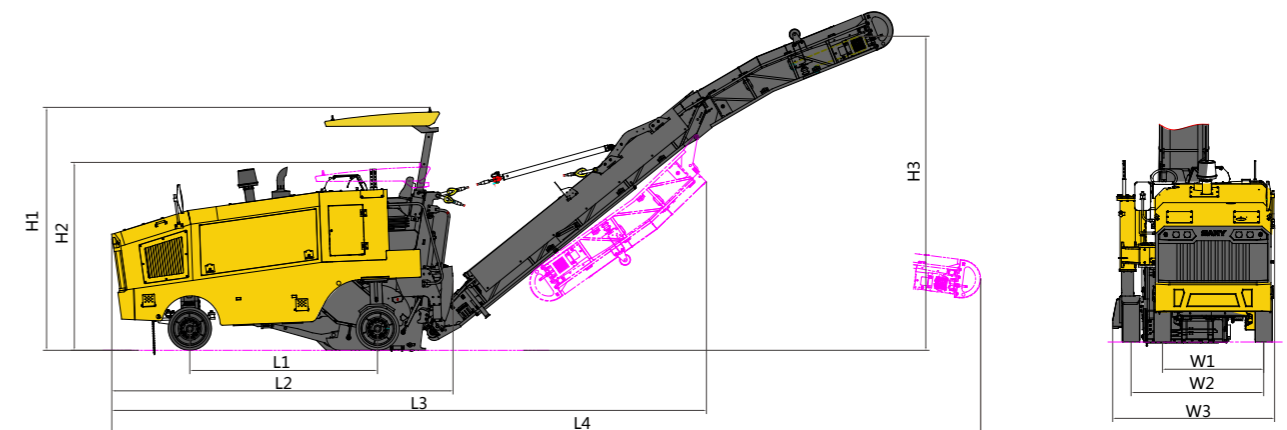
备注:  
工作重量包括半箱水、半箱燃油、机手(75kg)及刀具;  
Note:  
The working weight includes that of a half tank of water, a half tank of fuel, the operator (75 kg) and cutting tool.

### Basic and Optional Configuration of SCM1300C-8 Milling Machine

#### SCM1300C-8 铣刨机基本配置和选配方案

型号 Model	基本配置 Basic Configuration	选配 / 加配 Optional/Additional Configuration	
	基本配置 Basic Configuration	名称规格 Name and Specification	配置属性 Configuration Property
SCM1300C-8	三一发动机 + 四轮驱动 + 液压传动 + 标准刀间距铣刨鼓 + 找平系统 + 可折叠输料机  SANY D07 engine + 4WD + mechanical belt drive + milling drum with the standard cutter space + leveling program + foldable conveyor	Milling drum of quick-change toolholders (18mm tool spacing)	加配 Additional
		精铣刨鼓(一线一齿) Fine milling drum (one milling tooth in a line)	加配 Additional
		精铣刨鼓(一线二齿) Fine milling drum (two milling teeth in a line)	加配 Additional

主要尺寸 Main Dimension	SCM1300C-8
L1(mm)	2690
L2(mm)	4890
L3(mm)	8550
L4(mm)	12560
H1(mm)	3480
H2(mm)	2690
H3(mm)	4500
W1(mm)	1450
W2(mm)	2200
W3(mm)	2620



**SANY HEAVY INDUSTRY CO., LTD.**

SANY Industry Town, Changsha Economic and Technological Development Zone,  
Hunan Province, China  
Service Line: +86 4006 098 318 E-mail: crd@sany.com.cn

**SANY**<sup>®</sup>  
QUALITY CHANGES THE WORLD.